

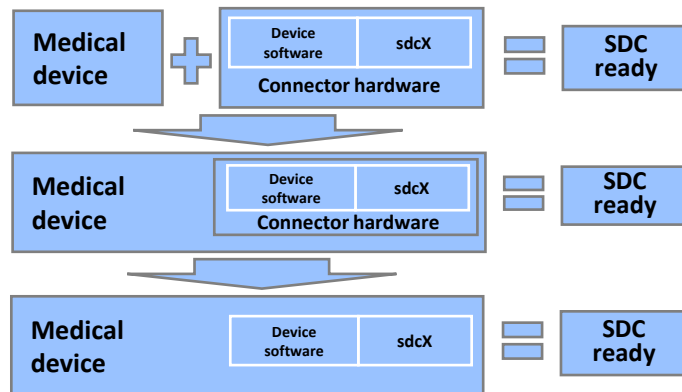
sdcX – The commercial IEEE 11073 software stack

The easiest way to make your product speak SDC: Implement the SurgiTAIX sdcX software library into your current or future product.

Over 10 years of experience in SDC library development incorporated in a quality assured and security aware software product.

Wherever you stand, you can upgrade your current or future product to speak the new top notch language of the hospital (operating room, ICU, ect.).

A path of migration



Consulting services: SDC Integration and Regulatory Affairs

- Technical support during the launch of products for international companies
- Training of end customers and distributors
- Expertise in:
 - ISO/IEEE 11073 SDC Family
 - DIN EN ISO 13485
 - DIN EN ISO 14971
 - DIN EN ISO 60601
 - DIN EN ISO 62304
 - DIN EN ISO 62366
 - Medical Device Directive 93/42/EWG
 - Medical Device Regulation MDR
 - ... and more



sdcX



SurgiTAIX AG

Kaiserstraße 100
D-52134 Herzogenrath
+49 (0)2407 555-999-0
office@surgitaix.com
www.surgitaix.com

The extensible IEEE 11073 library

What is SDC?

SDC stands for Service-oriented device connectivity. It comprises a family of open communication standards (IEEE 11073 SDC Family) for the interoperability of medical devices.

The vision of the SDC project is a safe and secure plug-and-play environment in the operating room.

Main features of the standard are:

- Safe and secure data transfer between medical devices and systems
- Remote control functionality
- Consistent and high data quality
- Applicable for common hardware (Ethernet / WiFi / 5G)

sdcX - Technical details

Key features

- Written in highly distributable C++14 with CMake for the build process
- Deployable to different Single-Board Computers (e.g. Yocto and Build-root environments)
- Thread pooling for unlimited scalability (e.g. server applications)
- Customization as a service



X for eXtensible

- Upcoming Dual-Stack implementation: Higher performance via Protocol Buffers ("ProtoSDC") transport technology
- Modular, layer-based architecture
- Quick adaptation to customer requirements
- Integration of Real-Time SDC (engagement OR.NET e.V. working group)

Additional services

Documented since the beginning:

The development is following the IEC 62304 for class C products. The whole documentation is delivered for an effortless approval process.

Extensive test suite:

For high code quality and validation.

Know your Risks:

ISO 14971 conforming modular and extensible risk analysis is delivered. IT-security process monitoring risks of SOUP components.

Integration services:

Better leave the work to the integration experts? No problem, the SurgiTAIX AG offers everything from consulting to full integration services.

